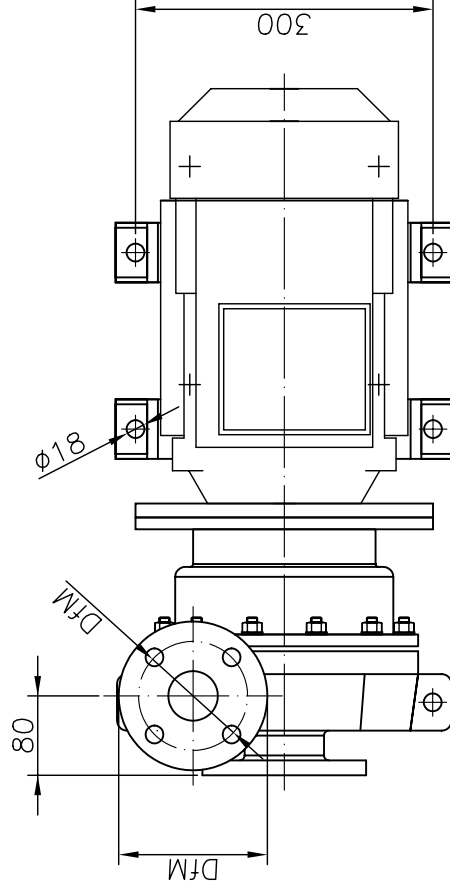
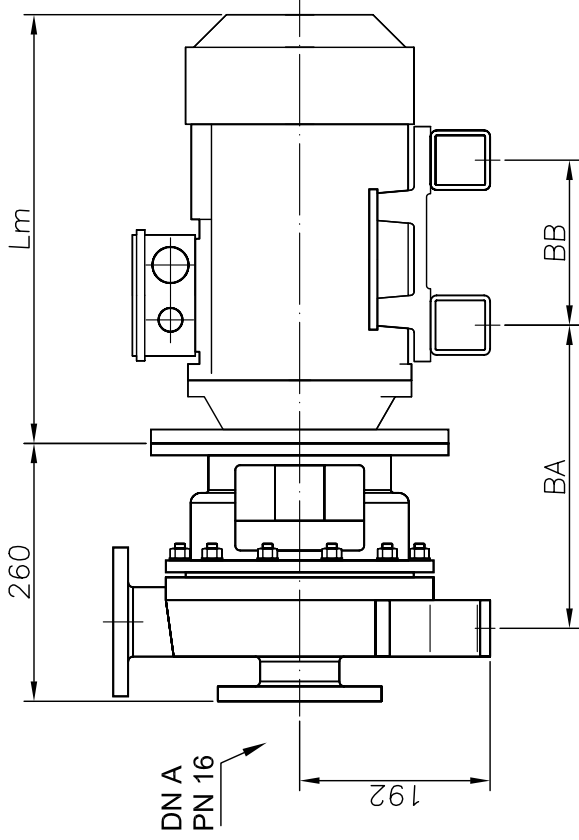
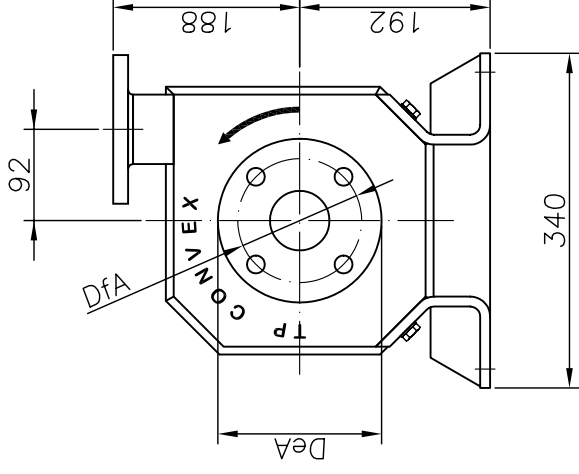


DIMENSIONS SUBJECT TO CHANGE



Type	DN A	DfA	DeA	Øholes Inlet	N°holes Inlet	DN M	DfM	DeM	Øholes Outlet	N°holes Outlet
CXS-200	50	125	165	18	18	40	110	150	18	4



Motore IM B35	POLI	kW	BA	BB	Lm	Peso kg
100 La	6	1.5	63	140	340	95
	4	2.2				
	2	3				
100 Lb	4	3	63	140	340	100
	6	2.2	140	340		
	4	4				
112 M	2	4	140	140	340	115
	6	3	89	140	402	
	4	5.5				
132 Sa	2	5.5	89	140	402	120
	6	7.5				
	4	4				
132 Sb	6	4	89	140	402	120
	4	7.5				
	2	5.5				
132 Ma	6	4	89	140	402	120
	4	7.5				
	2	5.5				
132 Mb	6	5.5	89	140	402	120
	4	7.5				
	2	5.5				